

# AGA



## AGA STOVES

Cosy warmth, exceptional design





## THE AGA STORY

For over 90 years AGA has remained at the forefront of engineering excellence. AGA stoves embody the best AGA traditions and employ the very latest technology. The generations of workers who have bestowed their craft, often from father to son, have done so with great care and attention, bringing a sense of pride to each new creation. When you invest in an AGA stove, you are acquiring a piece of history, a talking point and a centrepiece for your home. AGA stoves are brought to you by the manufacturers of the world famous AGA range cooker. They are assembled by hand by skilled craftsmen, giving each one a personal touch and unique quality.

## CONTENTS

<b>3</b> Engineering Excellence & Active Airflow Technology	<b>8</b> Working with Cast Iron	<b>18</b> Working with Steel
<b>4</b> Find Your Ideal AGA Stove	<b>10</b> Stretton & Stretton SE	<b>20</b> Shawbury
<b>6</b> Efficiency	<b>11</b> Ludlow & Ludlow SE	<b>21</b> Hanwood
<b>7</b> Fuel Options	<b>13</b> Little Wenlock Classic & Little Wenlock Classic SE	<b>23</b> Lawley
<b>28</b> Specifications	<b>14</b> Little Wenlock	<b>24</b> Dorrington
<b>29</b> Stoves Approvals	<b>16</b> Much Wenlock Classic	<b>26</b> Westbury
	<b>17</b> Wren	<b>27</b> Hadley
		<b>28</b> Ellesmere 4, 5 & 6



Cover image: Ellesmere 6 stove

## ENGINEERING EXCELLENCE

With a reputation for technical excellence, AGA stoves are amongst the best you can buy. Each model is individually designed to ensure that the air flows around the stove in the most efficient way possible, while all components are manufactured to the highest technical standards. In addition, each stove is assembled by hand and subjected to a gruelling series of quality control checks, including a visual inspection of the casting, before it is allowed to leave the factory.

### QUALITY CONTROL

Every AGA stove is subjected to a detailed quality control inspection before it is allowed to leave the factory.

### FLEXIBILITY

Most models can burn either wood or solid fuel.

## ACTIVE AIRFLOW TECHNOLOGY

Often it is those things which you don't see that make all the difference.

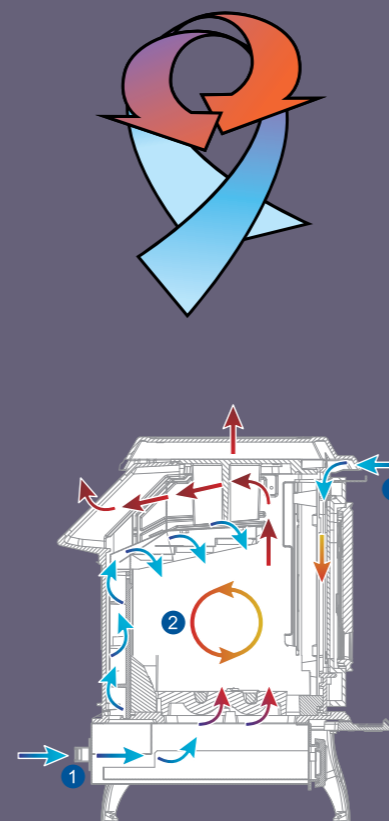
AGA stoves incorporate the latest Active Airflow technology, to deliver the most efficient use of energy and to protect the environment from harmful emissions.

Fresh air is carefully channelled below, around and above the fire box to create the optimum conditions for combustion. Any solid particles and volatile gases produced from the fire are re-ignited and burnt off before they can enter the atmosphere.

This process not only guarantees that you achieve the maximum heat output from your chosen fuel, but also helps to keep the window clean and clear, so that you can enjoy the flame picture to the full.

Our Smoke Exempt Stoves can be used in smoke control areas throughout the UK to burn wood.

1. A controllable air intake allows you to set the rate of combustion
2. Pre-heated air from the rear of the stove creates a secondary burn, which increases the heat output and burns off impurities
3. Air flows across the window keeping it clean and clear, giving a magnificent view of the fire



# FIND YOUR IDEAL AGA STOVE

There are a number of things to consider when deciding on which stove you want. Do you want to heat a single room or the whole house? Do you live in a smoke control area? Thankfully we have a stove to suit your needs. The AGA range includes a wide variety of styles to suit all tastes, from the traditional to very contemporary. Matching the heat output of a stove with the room it will heat is very important and it is best to take advice from a professional installer prior to installation. However, you can use the simple calculation below as an initial guide.



To find out which Stove is your perfect match, measure your room, then use this calculation to find your room size in metres<sup>3</sup> and the heat output in kW of the stove.

$$\text{Height (m)} \times \text{Length (m)} \times \text{Width (m)} = \text{Volume} \times .0606 = \text{KW}$$

Q1: Do you want an insert stove or a freestanding stove?

Freestanding stove

Insert stove (Small - <70m<sup>3</sup>) <5kW



Stretton & SE

Q2: Do you want classic design or contemporary design?

Classic

Contemporary

Q3: What size room will your classic stove warm?

Q3: What size room will your contemporary stove warm?



Wren Little Wenlock Classic & SE



Ludlow & SE Little Wenlock



Much Wenlock Classic



Lawley Ellesmere 4



Westbury Dorrington



Shawbury Ellesmere 5



Ellesmere 6



Hadley Hanwood

Still not sure which AGA Stove is right for you?  
Call your local AGA Stove dealer on 0845 338 1365 who will be able to help you select the right stove for your home.

# AGA STOVES ARE UP TO 81% EFFICIENT



## Carbon Neutral

Burning wood is carbon neutral because it only releases the same amount of carbon dioxide to the atmosphere as it would if it were left to decompose on the forest floor.

So, when you burn firewood, be assured that you are not harming the environment.

## AGA RAYBURN HOME ENERGY MANAGEMENT

### ECO-CONNECT

AGA Rayburn now has an innovative award-winning system called Eco-Connect, which facilitates the effective integration of traditional heating systems and appliances with renewable sources of energy.

So, now you can link your Rayburn central heating cooker, fuelled from a renewable source such as wood, to a conventional or condensing boiler. Alternatively, you can easily integrate a wood burning stove to your home's heating system.

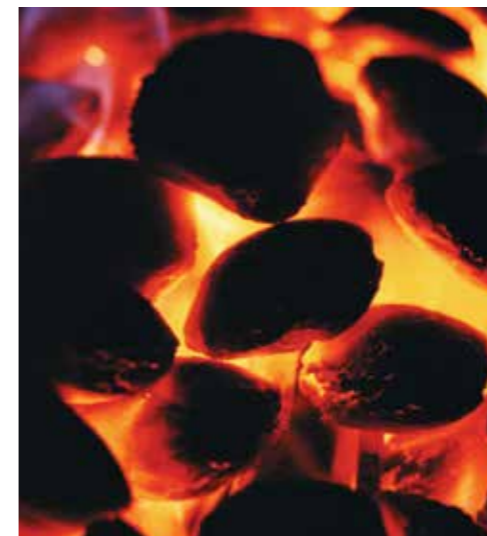


## A FUEL TO SUIT ALL HOMES AND NEEDS

By following a few simple guidelines, you can ensure that your stove is not only economic to run, but also environmentally friendly.

The secret is to burn clean, dry fuels at high temperature, with an adequate air supply. Modern proprietary solid fuels and large anthracite nuts burn at consistently high temperatures, ensuring a good secondary combustion of any impurities in the smoke. Never use fuel that is wet or unsuitable for the appliance and don't overfill the firebox. Of course, dry timber from a well managed and renewable forest is the most environmentally friendly fuel of all, as any emissions are comparatively low in CO<sub>2</sub> and the planting of new trees can help to reduce global warming.

As a simple check, if the smoke coming from your chimney is black or dark brown, then the combustion is incomplete and you are releasing too many impurities into the environment. If it is white or barely visible then your stove is working at peak efficiency.



### SOLID FUEL

Solid fuel is not only economic but it also produces a fantastic glowing flame.

Solid fuel is an efficient and economical method of heating your home 24 hours a day, whatever the weather. There are a wide range of fuels available and, in general, homes heated by solid fuel stoves can benefit from reduced condensation - helping to eliminate household mould and carry away toxins.



### WOOD

A renewable resource and the most environmentally friendly fuel to burn.

Nothing can compare with the roar and crackle of a real wood fire.

AGA stoves are clean burning and highly efficient. Burning timber is cost effective and helps to conserve fossil fuels. For the best effect, only dry, seasoned timber should be used. You can recognise dry wood by the fact that the bark comes away easily. Fresh green wood can have a moisture content of up to 90%, which makes it slow to ignite, produces steam, reduces the efficiency of the stove and can lead to excess sooting, which in turn, reduces the visibility of the flame picture. The firebox should never be completely emptied as wood burns best on a bed of ash.

AGA

CLASSIC STOVES

# WORKING WITH CAST IRON

To make a stove which is both beautiful to look at and practical to run, you have to start with the right materials – a high quality metal, which is precision cast and expertly finished by skilled craftsmen.



## BEAUTIFUL DESIGN FEATURES

The beautiful cast iron panels of an AGA stove are individually moulded in a hand finished 'cast'. This means that we can create the gentle curves and exquisite design details which are the hallmark of a high quality stove.

## EXCELLENT HEAT RETENTION

Cast iron is renowned for its heat retention properties, which is why we use it in our world famous AGA cookers. The heat stored whilst the stove is lit continues to be released into the room, long after the embers have died away.

## OUTSTANDING BUILD QUALITY

Our stoves are manufactured to the highest possible standards. They carry the CE mark, meaning that they comply with the essential requirements of the relevant European health, safety and environmental protection legislation. They are also all HETAS listed with a five year parts and one year labour warranty\*.

\*Does not apply to consumable items; glass, bricks etc.



Stretton



Ludlow



The handle is detachable.

## STRETTON & STRETTON SE

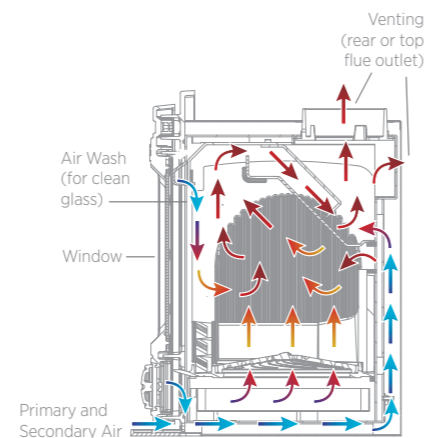
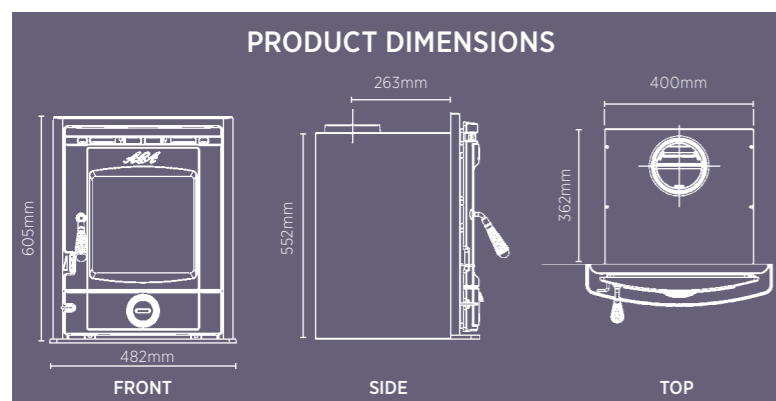
The Stretton boasts a sleek design as well as being simple and easy to use. With 78% efficiency and a nominal heat output of 4.9kW (maximum heat output 7.4kW), it's a great solution to owning a cast iron multi fuel stove whilst keeping a focal point of a traditional fireplace. The Stretton can be positioned into a 16" or 18" fireplace.

Designed to the highest AGA standards, the Stretton is precisely engineered to give an extremely effective air-wash system. It also has an adjustable secondary air wash system to ensure the glass is kept clean. The removable black handle, shaker grate, ash pan, fire fence and front ash tray all help make the Stretton exceptionally easy to use. It is just perfect for those looking for warmth and style.

The Stretton multi-fuel stove is now also available in a dedicated smoke exempt version (SE). The low particulate emissions from the SE model ensure that it is fully approved to burn wood and solid fuel in smoke exempt zones (typically associated with urban centres of population).

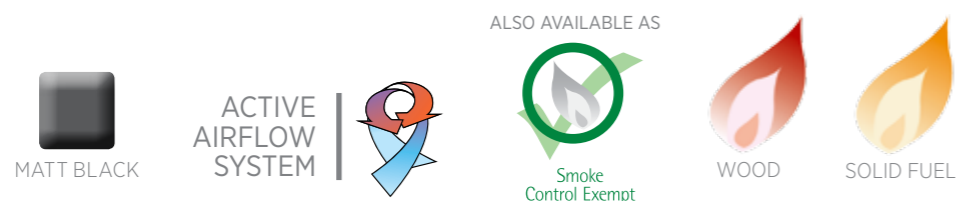
FUEL TYPE	FLUE	WINDOW	ENAMEL OPTION	AIR WASH	OPTIONAL BOILER
Solid Fuel and Wood	Top	Plain	No	Yes	No

Please consult your dealer for more details.



### RECOMMENDED SOLID FUEL TYPES

Wood, coal, anthracite and peat briquettes (see page 7 for details).



## LUDLOW & LUDLOW SE

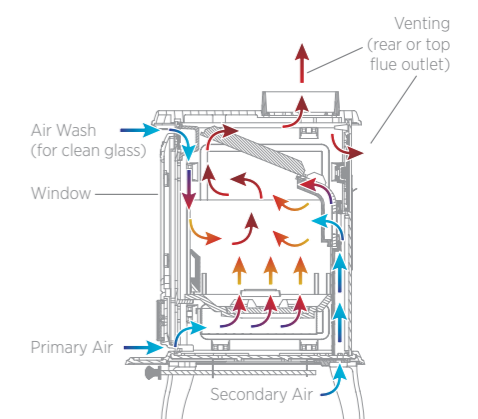
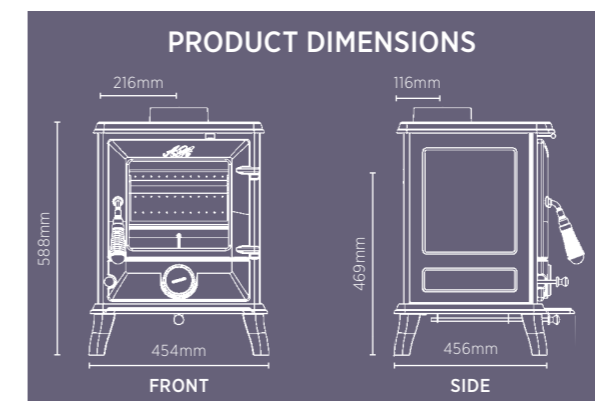
The Ludlow is a medium sized multi fuel stove with a nominal heat output of 6.5kW (maximum heat output of 9.7kW) and an efficiency rating of 76% when burning wood logs. It has a removable shaker grate, ash pan, fire fence and front ash tray. As well as being simple and easy to use, it can be left to burn overnight. It features the classic AGA black "cool touch" wire handle and will look equally at home in a traditional or contemporary setting.

The Ludlow has been designed to exude a similar look to the existing AGA Stoves range, precisely engineered to give an effective air-wash system. This is controlled with pinpoint accuracy by the dedicated, preheated tertiary air intake.

The Ludlow wood burning stove is now also available in a dedicated smoke exempt model (SE). The low particulate emissions from the SE model ensure that it is fully approved to burn wood in smoke exempt zones (typically associated with urban centres of population).

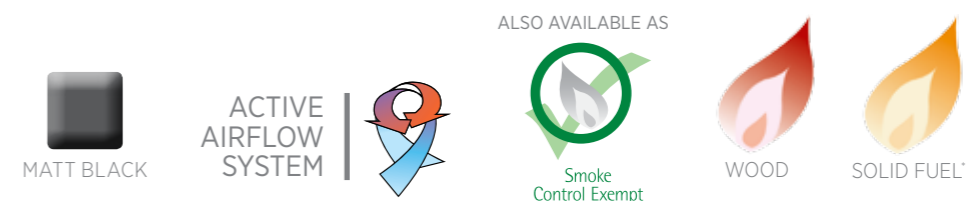
FUEL TYPE	FLUE	WINDOW	ENAMEL OPTION	AIR WASH	OPTIONAL BOILER
Solid Fuel and Wood	Top or Rear	Plain	No	Yes	No
Wood (SE only)	Top or Rear	Plain	No	Yes	No

Please consult your dealer for more details.



### RECOMMENDED SOLID FUEL TYPES

Wood, coal, anthracite and peat briquettes (see page 7 for details).



\*Solid fuel option is not available on the Smoke Exempt model.



Little Wenlock Classic



Little Wenlock



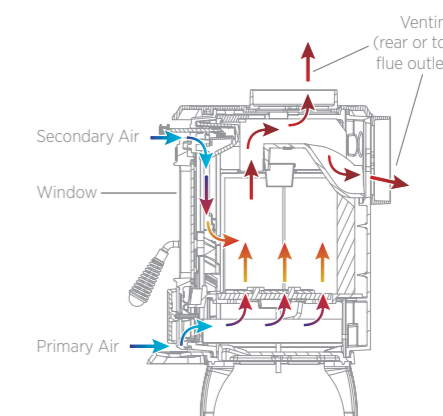
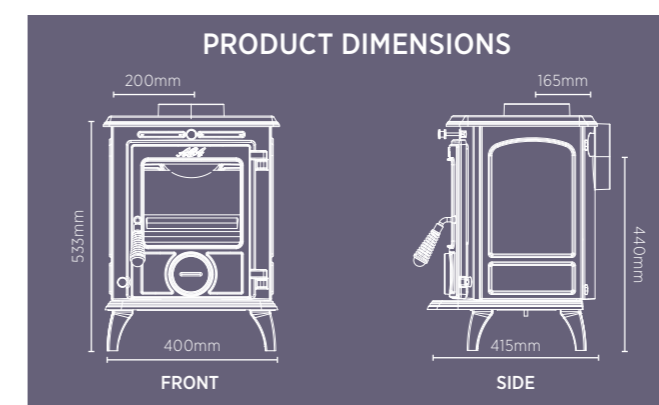
## LITTLE WENLOCK CLASSIC & SE

The Little Wenlock Classic is the perfect blend of old and new, it combines cutting edge design with traditional casting beauty. A small cast iron multi-fuel stove with dedicated preheated secondary air and a nominal heat output of up to 4.7kW (maximum heat output of 7kW). It offers top or rear flue connection, a high chrome riddling grate, a built-in ash pan, combustion air control, interchangeable wood burning plate and one of the most effective air-wash systems available to keep the glass clean. The Little Wenlock Classic is 81% efficient.

The Little Wenlock Classic is also available in a dedicated smoke exempt (SE) version. The low particulate emissions from the SE model ensure that it is fully approved to burn wood and solid fuel in smoke exempt zones (typically associated with urban centres of population).

FUEL TYPE	FLUE	WINDOW	ENAMEL OPTION	AIR WASH	OPTIONAL BOILER
Solid Fuel and Wood	Top or Rear	Plain	No	Yes	No

Please consult your dealer for more details.



### RECOMMENDED SOLID FUEL TYPES

Wood, coal, anthracite and peat briquettes (see page 7 for details).



MATT BLACK

ACTIVE  
AIRFLOW  
SYSTEM



ALSO AVAILABLE AS



Smoke  
Control Exempt



WOOD



SOLID FUEL

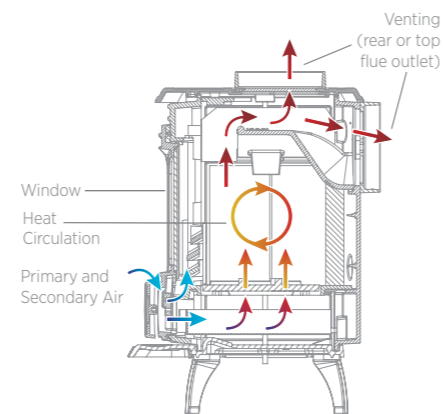
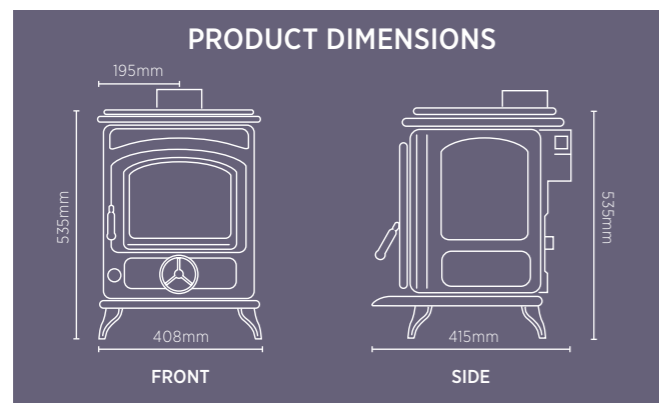


## LITTLE WENLOCK

The Little Wenlock is a highly versatile stove. With traditional moulded detailing, arched side panels and the distinctive wire handle so reminiscent of an AGA – this stove is certain to look perfect in almost any setting. Featuring a nominal output of up to 5.7kW (and a maximum output of 8kW) with 79% efficiency, this solid fuel and wood stove is ideal for small to medium sized rooms.

FUEL TYPE	FLUE	WINDOW	ENAMEL OPTION	AIR WASH	OPTIONAL BOILER
Solid Fuel and Wood	Top or Rear	Plain	No	Yes	No

Please consult your dealer for more details.



### RECOMMENDED SOLID FUEL TYPES

Smokeless - Ancit, Centurion, Coalite (Nuts), Maxibrite, Phurnacite, Sunbrite (Doubles), Extracite, Blazeprite, Anthracite (Large Nuts), Welsh Dry Steam Coal (Large Nuts), Dry Seasoned Wood (see page 7 for details).







## MUCH WENLOCK CLASSIC

The Much Wenlock Classic is a medium sized solid fuel and wood stove with a nominal heat output of 5.5kW (maximum 8.3kW) with 77% efficiency. It is suitable for burning wood, coal, anthracite or peat briquettes and features a removable shaker grate, ash pan, fire fence and front ash tray. It's simple and easy to use and can be left to burn overnight. This stove also has a black stay cool handle with an air inlet control.



## WREN

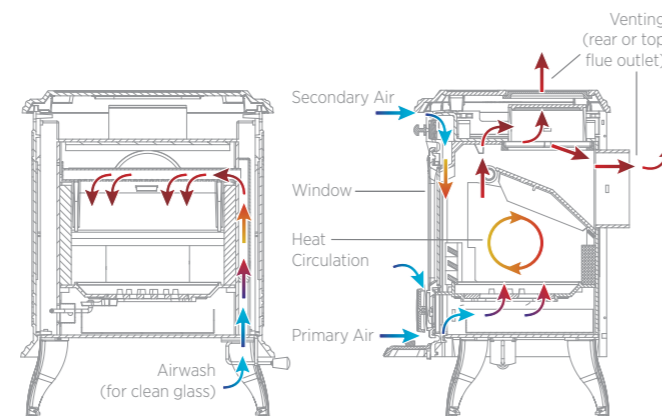
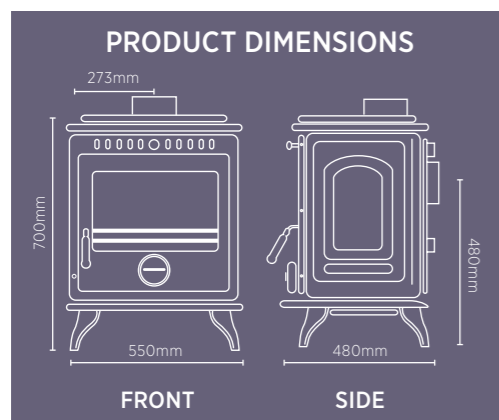
The Wren's neat style suits urban living and is powerful enough to heat open-plan rooms. The clean design lines and large viewing glass offer a stunning contemporary take on a traditional stove design. The Wren provides a nominal heat output of 4.8kW with 77% efficiency and can be flued into a standard fireplace opening.

FUEL TYPE	FLUE	WINDOW	ENAMEL OPTION	AIR WASH	OPTIONAL BOILER
Solid Fuel and Wood	Top or Rear	Plain	No	Yes	No

Please consult your dealer for more details.

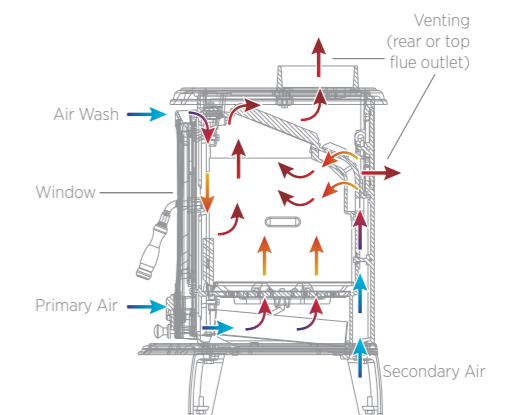
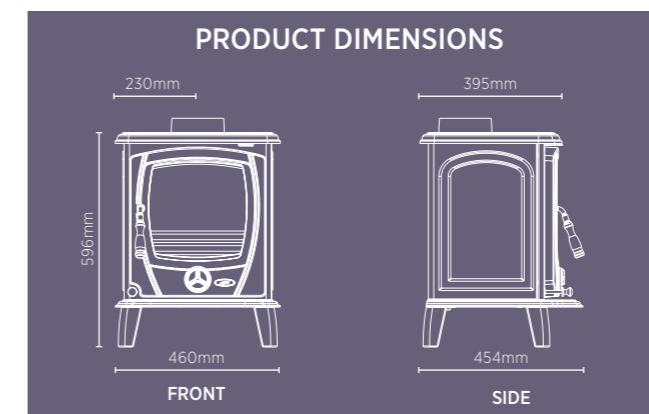
FUEL TYPE	FLUE	WINDOW	ENAMEL OPTION	AIR WASH	OPTIONAL BOILER
Solid Fuel and Wood	Top or Rear	Plain	No	Yes	No

Please consult your dealer for more details.



### RECOMMENDED SOLID FUEL TYPES

Smokeless - Ancit, Centurion, Coalite (Nuts), Maxibrite, Phurnacite, Sunbrite (Doubles), Extracite, Blazeprite, Anthracite (Large Nuts), Welsh Dry Steam Coal (Large Nuts), Dry Seasoned Wood (see page 7 for details).



### RECOMMENDED SOLID FUEL TYPES

Smokeless - Ancit, Centurion, Coalite (Nuts), Maxibrite, Phurnacite, Sunbrite (Doubles), Extracite, Blazeprite, Anthracite (Large Nuts), Welsh Dry Steam Coal (Large Nuts), Dry Seasoned Wood (see page 7 for details).

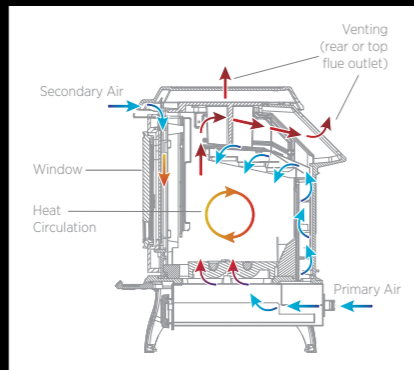


AGA

CONTEMPORARY STOVES

# WORKING WITH STEEL

The new AGA Contemporary stoves are truly exceptional. These wood burning stoves are designed to the highest standards and are manufactured from high grade steel, which allows us to produce truly inspiring designs that will be sure to attract attention in any space. With a variety of styles, sizes and outputs not to mention excellent efficiencies and DEFRA smoke exemption throughout, there is a model to suit every home.



### BEAUTIFUL DESIGN FEATURES

Clever door opening features, breathtaking flame pictures not to mention strong, smooth lines and exquisite curves. Some AGA Contemporary stoves are also external air ready\*, meaning that they can be installed in such a way that an outside air supply can be channelled directly into the stove.

### EXCELLENT EFFICIENCY

Cutting edge engineering ensures that the AGA Contemporary steel stoves deliver the highest efficiencies. In addition, all of the contemporary stoves are DEFRA Smoke Exempt, so they can be used in UK smoke control zones.

### OUTSTANDING BUILD QUALITY

AGA Contemporary stoves are built to last. All models are vigorously tested and engineered to ensure they are easy to control and a pleasure to use, whilst providing a stunning flame picture.



Shawbury



Hanwood 19



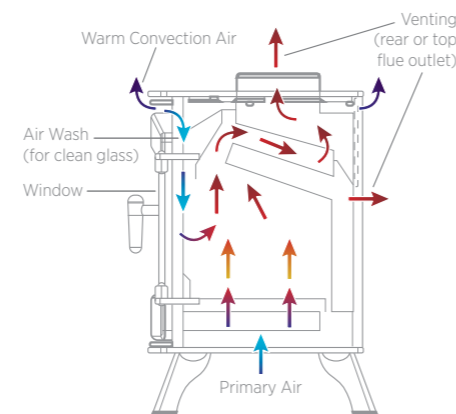
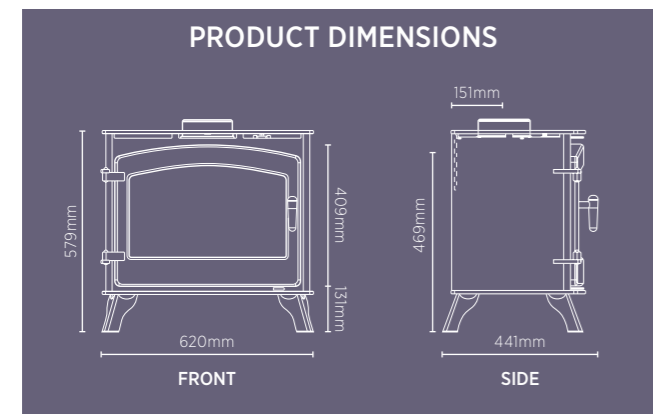
## SHAWBURY

A beautiful fusion of contemporary and traditional design, the Shawbury has simplicity at its heart. Straight forward controls and a magnificent flame picture make the Shawbury wood burning stove an easy choice when selecting a stove. A medium sized stove with a nominal heat output\* of 7.1kW and 77% efficiency, the Shawbury is ideal for a medium or large sized living area. The Shawbury is a Smoke Exempt stove (fully approved to burn wood in smoke exempt zones).

\*Higher or lower outputs can be obtained by lengthening or shortening the refuelling interval.

FUEL TYPE	FLUE	WINDOW	ENAMEL OPTION	AIR WASH	OPTIONAL BOILER
Wood	Top or Rear	Plain	No	Yes	No

Please consult your dealer for more details.



**RECOMMENDED SOLID FUEL TYPES**  
Dry Seasoned Wood Logs (see page 7 for details).



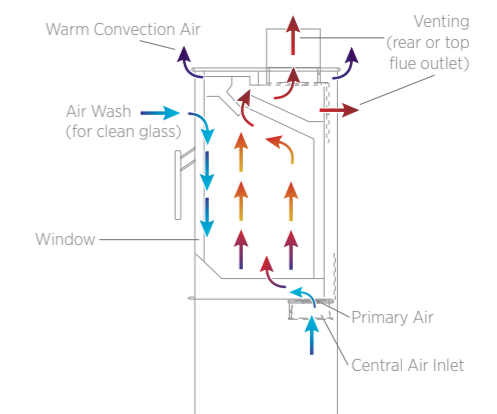
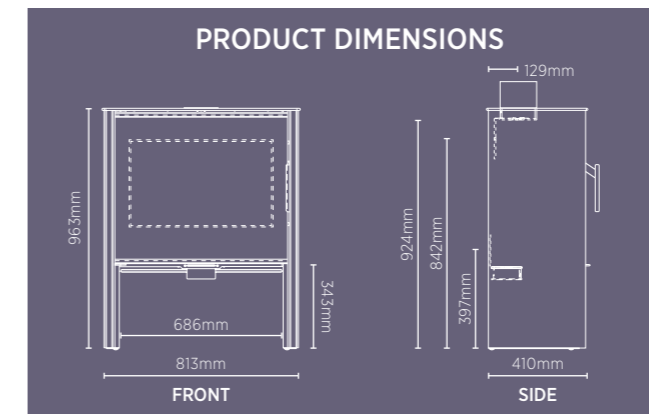
## HANWOOD

With its strong lines and large flame picture, the Hanwood wood burning stove makes itself the contemporary heart of any room. Creating comfort and warmth, the Hanwood is a medium sized stove with a nominal output\* of 9kW and high efficiency of 79%. Ideal for the family home the Hanwood stove is ultra controllable as well as being Smoke Exempt (fully approved to burn wood in smoke exempt zones), so, wherever you live, the Hanwood will fit right in. You can also store your logs underneath in the handy log store.

\*Higher or lower outputs can be obtained by lengthening or shortening the refuelling interval.

FUEL TYPE	FLUE	WINDOW	ENAMEL OPTION	AIR WASH	OPTIONAL BOILER
Wood	Top or Rear	Plain	No	Yes	No

Please consult your dealer for more details.



**RECOMMENDED SOLID FUEL TYPES**  
Dry Seasoned Wood Logs (see page 7 for details).





Lawley



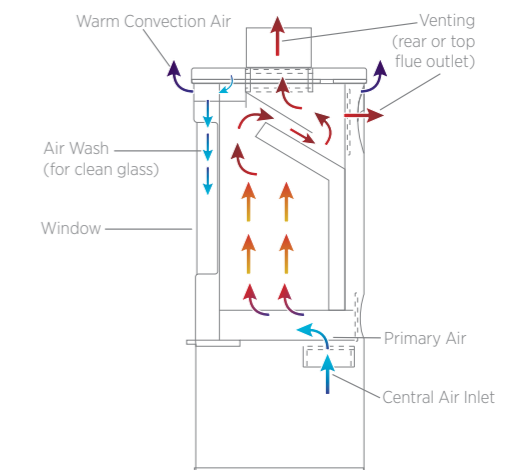
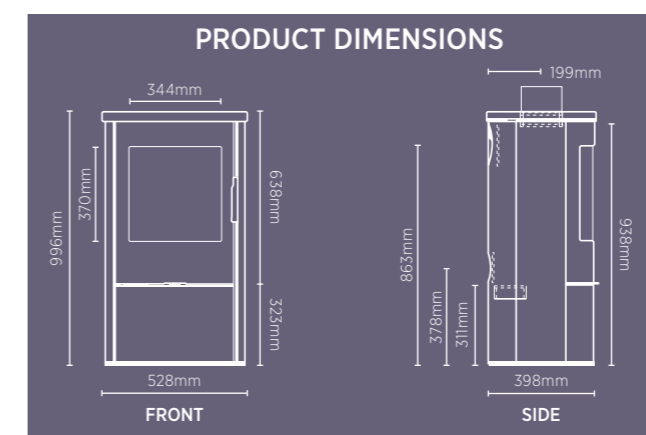
## LAWLEY

The Lawley wood burning stove provides a stunning flame picture with simple to use controls. Boasting a nominal output\* of 4.4kW and one straight forward control to regulate the air intake, the Lawley is ideal for the family home. With 80% efficiency, the Lawley uses preheated secondary air to ensure the glass is kept clean. The Lawley is also a Smoke Exempt stove, so it is fully approved to burn wood in smoke exempt zones and is available with either a pedestal (with 360° rotation feature\*\*) or a handy wood store base.

\*Higher or lower outputs can be obtained by lengthening or shortening the refuelling interval. \*\*When used with a top flue.

FUEL TYPE	FLUE	WINDOW	ENAMEL OPTION	AIR WASH	OPTIONAL BOILER
Wood	Top or Rear	Plain	No	Yes	No

Please consult your dealer for more details.



**RECOMMENDED SOLID FUEL TYPES**  
 Dry Seasoned Wood Logs (see page 7 for details).





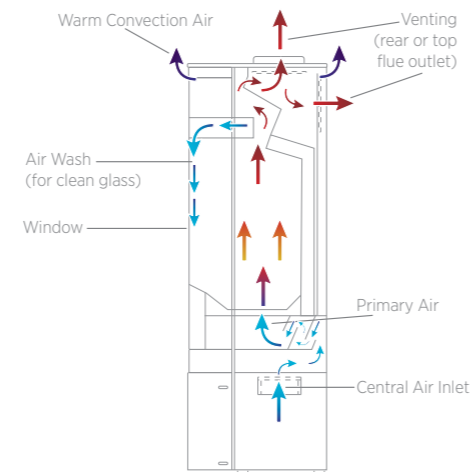
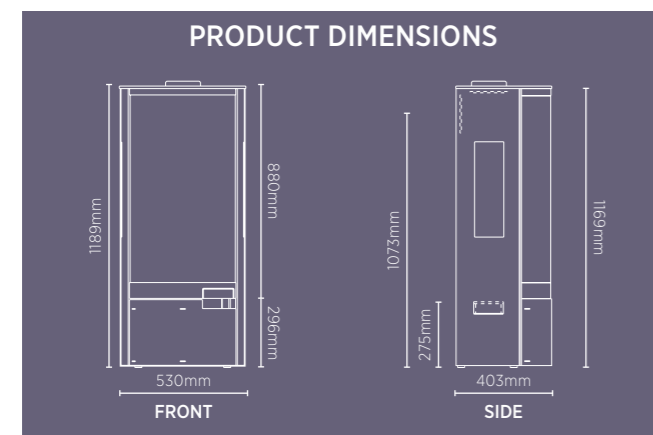
## DORRINGTON

A truly beautiful model, the Dorrington wood burning stove adds inspiration to any space it fills. With a high efficiency at 80% and a 6kW nominal output\* it is ideal for medium and large living areas. The Dorrington features windows on either side as well as an ample front glass to ensure you can see the flame effect from virtually anywhere in the room. With one straight forward control to regulate the air intake, the Dorrington uses pre-heated secondary air to ensure the glass is kept clean. The Dorrington is a Smoke Exempt stove, so it is fully approved to burn wood in smoke exempt zones.

\*Higher or lower outputs can be obtained by lengthening or shortening the refuelling interval.

FUEL TYPE	FLUE	WINDOW	ENAMEL OPTION	AIR WASH	OPTIONAL BOILER
Wood	Top or Rear	Plain	No	Yes	No

Please consult your dealer for more details.



**RECOMMENDED SOLID FUEL TYPES**  
 Dry Seasoned Wood Logs (see page 7 for details).





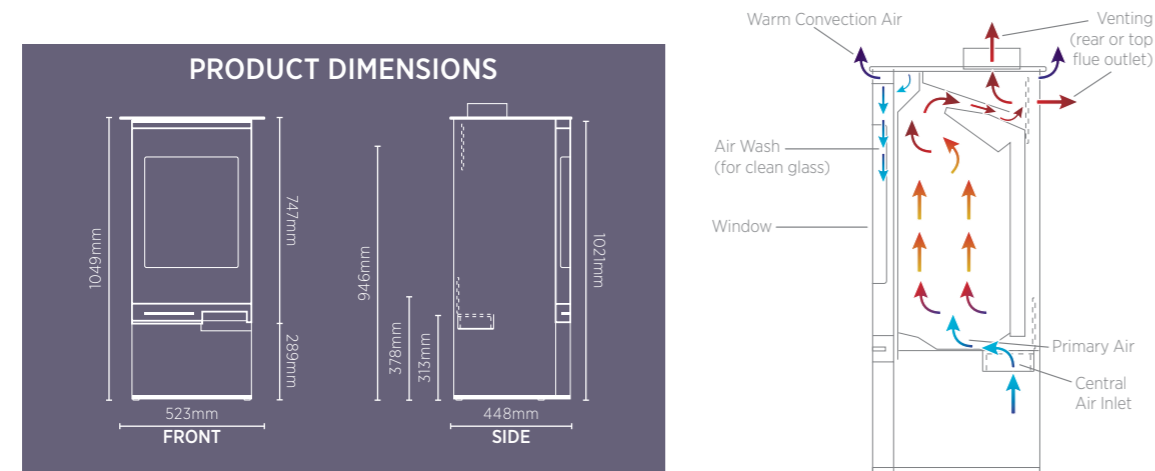
## WESTBURY

The Westbury wood burning stove will draw the attention of everyone in the room thanks to its huge glass door and striking flame picture. With 78% efficiency and a nominal heat output\* of 5.9kW, the Westbury will comfortably keep the room cosy and warm. The Westbury is a Smoke Exempt stove, so it is fully approved to burn wood in smoke exempt zones.

\*Higher or lower outputs can be obtained by lengthening or shortening the refuelling interval.

FUEL TYPE	FLUE	WINDOW	ENAMEL OPTION	AIR WASH	OPTIONAL BOILER
Wood	Top or Rear	Plain	No	Yes	No

Please consult your dealer for more details.



**RECOMMENDED SOLID FUEL TYPES**  
Dry Seasoned Wood Logs (see page 7 for details).



GRAPHITE



WOOD



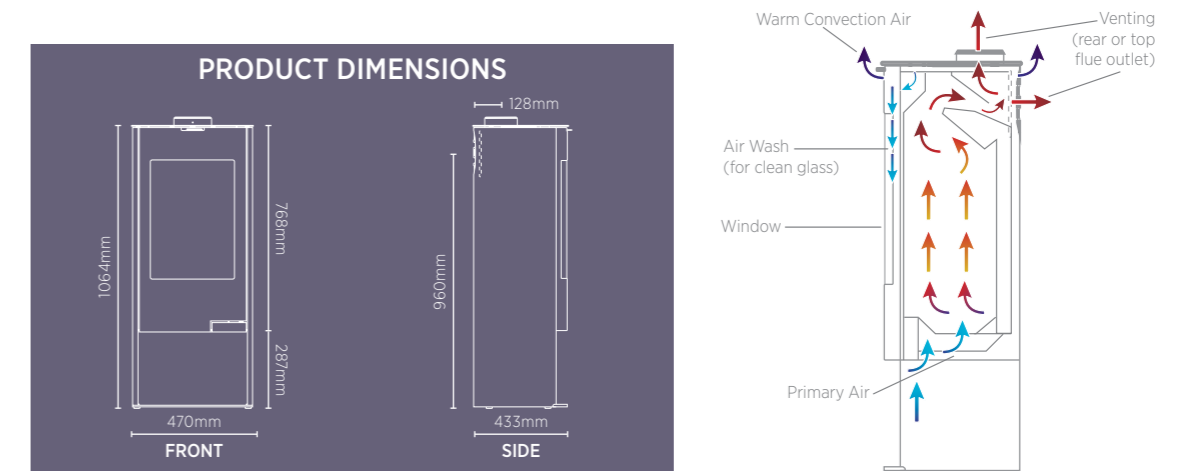
## HADLEY

The clean lines of the Hadley wood burning stove will appeal to those looking for an honest, unfussy design. With its impressive height and beautiful flame effect, the Hadley will bring warmth and comfort to the coldest room. A secondary air intake ensures that the glass remains clear for you to enjoy the flame picture and with an 8kW nominal heat output\* the Hadley will comfortably heat most rooms. With 75% efficiency, the Hadley is a Smoke Exempt stove, so it is fully approved to burn wood in smoke exempt zones. The primary air control is easily reached under the ash compartment.

\*Higher or lower outputs can be obtained by lengthening or shortening the refuelling interval.

FUEL TYPE	FLUE	WINDOW	ENAMEL OPTION	AIR WASH	OPTIONAL BOILER
Wood	Top or Rear	Plain	No	Yes	No

Please consult your dealer for more details.



**RECOMMENDED SOLID FUEL TYPES**  
Dry Seasoned Wood Logs (see page 7 for details).



GRAPHITE



WOOD



## ELLESMERE

The Ellesmere family of stoves have been carefully designed to bring through the very best designs for today's market. A beautiful fusion of contemporary and traditional design, the Ellesmere stoves feature eye catching design and functionality that's a joy to use. The cleverly designed air control allows you to switch between solid fuel and wood as well as controlling the air intake. The end result is exquisite controllability and a magnificent flame picture.

The Ellesmere stoves are available in 3 sizes with corresponding outputs:

STOVE	FUEL TYPE	FLUE	WINDOW	NOMINAL HEAT OUTPUT*	AIR WASH	EFFICIENCY
Ellesmere 4	Wood & Solid Fuel	Top or Rear	Plain	Wood - 4.5kW Coal - 3.8kW	Yes	Wood - 81.9% Coal - 79.1%
Ellesmere 5	Wood & Solid Fuel	Top or Rear	Plain	Wood - 5.2kW Coal - 5kW	Yes	Wood - 81.9% Coal - 78.8%
Ellesmere 6	Wood & Solid Fuel	Top or Rear	Plain	Wood - 5.9kW Coal - 6.4kW	Yes	Wood - 82.4% Coal - 78.8%

Please consult your dealer for more details.

\*Higher or lower outputs can be obtained by lengthening or shortening the refuelling interval.

PRODUCT DIMENSIONS		DIMENSION (mm)					
STOVE		A	B	C	D	E	F
Ellesmere 4		583	425	213	133	415	480
Ellesmere 5		669	500	250	137	470	480
Ellesmere 6		730	575	287.5	137	470	625

### RECOMMENDED SOLID FUEL TYPES

Smokeless - Ancit, Centurion, Coalite (Nuts), Maxibrite, Phurnacite, Sunbrite (Doubles), Extracite, Blazeprite, Anthracite (Large Nuts), Welsh Dry Steam Coal (Large Nuts), Dry Seasoned Wood (see page 7 for details).

  
MATT BLACK

ACTIVE AIRFLOW SYSTEM 

  
Smoke Control Exempt

  
WOOD

  
SOLID FUEL



# PRODUCT SPECIFICATION

Models	Nominal Heat Output*				Efficiency	
	Space		Water		Wood	MSF
	Wood	MSF	Wood	MSF		
Stretton	4.9kW	4.4kW	n/a	n/a	78.4%	70%
Stretton SE	4.9kW	4.9kW	n/a	n/a	78.4%	74.2%
Ludlow	6.5kW	6.2kW	n/a	n/a	76.2%	69.2%
Ludlow SE	6.5kW	n/a	n/a	n/a	76%	n/a
Little Wenlock Classic	4.7kW	4.7kW	n/a	n/a	81.2%	70.1%
Little Wenlock Classic SE	4.7kW	n/a	n/a	n/a	71.4%	n/a
Little Wenlock	5.7kW	4.2kW	n/a	n/a	79.4%	78.8%
Much Wenlock Classic	5.5kW	4.1kW	n/a	n/a	77.3%	71.3%
Wren	4.8kW	4.9kW	n/a	n/a	77.5%	78.4%
Shawbury	7.1kW	n/a	n/a	n/a	77.4%	n/a
Hanwood	9kW	n/a	n/a	n/a	79.5%	n/a
Lawley	4.4kW	n/a	n/a	n/a	80.5%	n/a
Dorrington	6kW	n/a	n/a	n/a	80.4%	n/a
Westbury	5.9kW	n/a	n/a	n/a	78.1%	n/a
Hadley	8kW	n/a	n/a	n/a	75.7%	n/a
Ellesmere 4	4.5kW	3.8kW	n/a	n/a	81.9%	79.1%
Ellesmere 5	5.2kW	5kW	n/a	n/a	81.9%	78.8%
Ellesmere 6	5.9kW	6.4kW	n/a	n/a	82.4%	78.8%

Models	Height (mm)	Width (mm)	Depth (mm)	Height to centre of rear flue (mm)	Flue outlet Dia only (mm)	Weight (kg)
Stretton	605	482	362	n/a	153	100
Stretton SE	605	482	362	n/a	153	100
Ludlow	588	454	456	469	125	77
Ludlow SE	588	454	456	469	125	77
Little Wenlock Classic	533	400	415	440	125	69
Little Wenlock Classic SE	533	400	415	440	125	69
Little Wenlock	535	408	415	535	125	66
Much Wenlock Classic	700	550	480	480	150	137
Wren	596	460	454	486	125	105
Shawbury	579	620	441	469	150	105
Hanwood	963	813	410	842	150	172
Lawley	996	528	398	863	150	122
Dorrington	1189	530	403	1073	150	152
Westbury	1049	523	448	946	150	153
Hadley	1064	470	433	960	150	110
Ellesmere 4	583	425	415	480	150	135
Ellesmere 5	669	500	470	480	150	160
Ellesmere 6	730	575	470	625	150	190

Nominal efficiency and outputs based on refuel every 1.5 hours for wood and 4 hours for solid mineral fuel. All solid fuel AGA Stoves are tested to BS:EN13240 and HETAS approved.

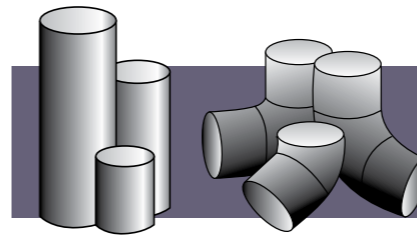
**AGA STOVE FLUE REQUIREMENT:** Class 1

**NOTE:** Bituminous coals do not have the same consistency of grade as other solid fuels. Accordingly, please use only those on selected list

available from your stockist or heating engineer and only burn them on a medium or high setting. If the appliance is being operated on wood at a low setting for long periods excess tarring will result.

We recommend that you consult your AGA stockist or qualified heating engineer before making your final stove choice, to be sure the heat output and choice of fuel is most suited to your needs.

# PIPES AND BENDS



Enamel finishes available in Black, Cream and Majolica Brown.

When installing your AGA products, we recommend that you use AGA parts and flue systems only. See chart below for the full range of recommended pipes and bends.

PRODUCT	SIZE	DEGREE
Bends	6" Bend	112°
Bends	6" Bend	90°
Bends	6" Bend	45°
Bends	5" Bend	112° or 45°
Bends	5" Bend	90°

PRODUCT	SIZE	CLEANING DOOR OPTION AVAILABLE
Pipes	6" Pipe x 18"	Yes
Pipes	5" Pipe x 18"	No
Pipes	6" Pipe x 34" <small>*Cream enamel not available.</small>	No

## NOTES:

- Rated output for solid fuels are based on Ancit Test Fuels. Outputs may vary with other types of fuel.
- Solid fuel stoves burn on selected bituminous coals, most smokeless fuels and dry woods. Certain smoke exempt stoves burn wood only.
- For minimum clearance to the side of all appliances, please refer to the installation instructions.
- For minimum chimney diameters, please refer to the installation instructions.
- Installations must conform to current Building Regulations and any local bylaws.
- The door glass may blacken on lower fire settings.
- All solid fuel stoves have an overnight burning capability. However, it is not recommended to burn bituminous coal for prolonged periods on a low fire. If considering use of manufactured solid fuels, please consult your stockist or heating engineer regarding suitability.
- This brochure is produced as a visual aid and is not intended to replace the Installation and Users Instructions, or the need to view an appliance.
- The makers reserve the right to make alterations to design, materials or construction for manufacturing purposes or other reasons, subsequent to publication.
- AGA stoves have a five year parts and one year labour warranty (Does not apply to consumable items; glass, bricks etc).

## ALL OF OUR STOVES ARE APPROVED BY:



### SFA (Solid Fuel Association)

The Solid Fuel Association is funded by solid fuel producers and distributors and was established to encourage greater awareness of the benefits of domestic solid fuel heating among the general public. Operating as an advice centre, the Solid Fuel Association welcomes communication on all matters concerning the use of solid fuels both from domestic consumers and professionals such as heating installers and architects.



### HETAS

HETAS is the official body recognised by government to approve solid fuel domestic heating appliances, fuels and services. Its work in approving products covers boilers, cookers, open fires, stoves and room heaters. Established in 1936, HETAS Ltd. is the official testing and approval body for the domestic solid fuel industry. HETAS Ltd. approves and gives the three-tick logo mark of quality assurance to solid fuels and solid fuel stoves.



### CE MARK

All AGA Stoves carry the CE Mark. This means that they comply with the essential requirements of the relevant European health, safety and environmental protection legislation.

## HELPFUL ADVICE

There is an AGA stove to suit every size and style of room. We recommend that you discuss your requirements with an appointed AGA authorised stove stockist, who will be happy to advise you on the heat output and choice of fuels best suited to your needs. For more details on AGA Stoves or for help in choosing the right stove for you, please contact your local authorised stove stockist dealer on the details overleaf.

For further information on AGA and its exclusive range of stoves please visit [agastoves.co.uk](http://agastoves.co.uk).





YOUR LOCAL  
AGA STOVE DEALER IS

AGA STOVES SALES  
0845 338 1365

[agastoves.co.uk](http://agastoves.co.uk)

Copyright © AGA Rangemaster Limited 2016. Brand names, words and logos are registered trademarks of AGA Rangemaster Group, Juno Drive, Leamington Spa, Warwickshire, CV31 3RG. AGA is a trading name of AGA Rangemaster Limited. Registered in England & Wales under registered number 3872754. Registered office: Juno Drive, Leamington Spa, Warwickshire, CV31 3RG England.

AGA continuously seeks improvements in specification, design and production of products and thus, alterations take place periodically. Whilst every effort is made to produce up-to-date literature, this brochure should not be regarded as an infallible guide to current specification, nor does it constitute an offer for the sale of any particular appliance.

